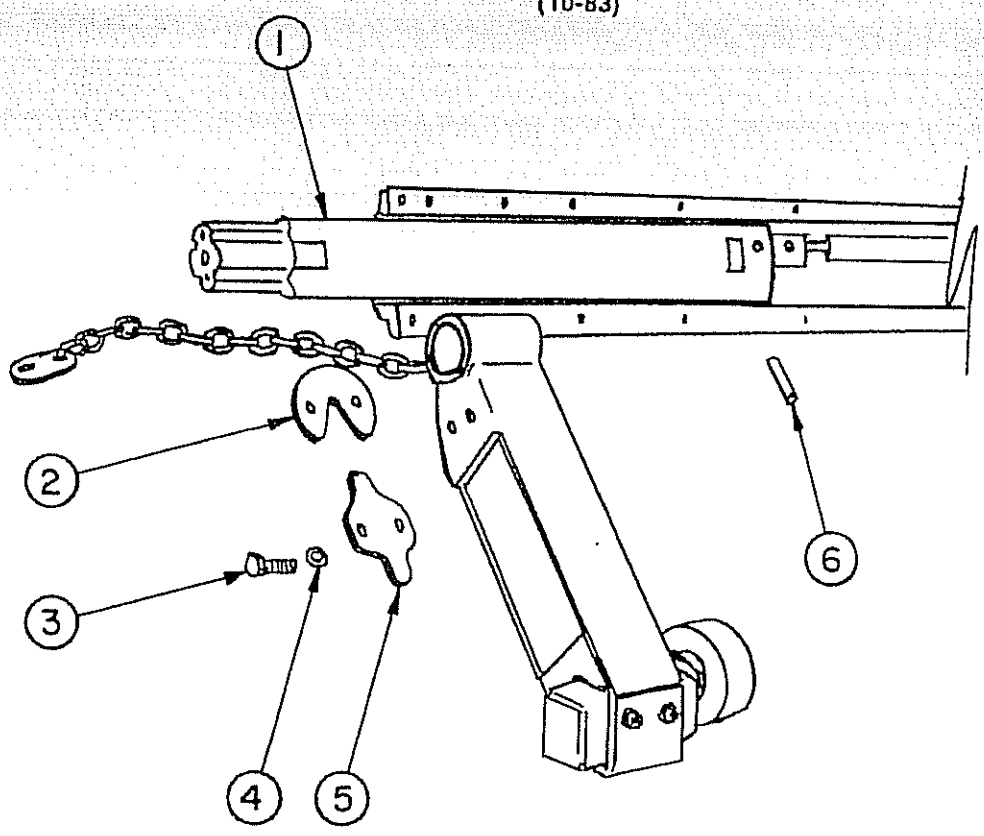


SLIDE ARM (NEW STYLE) (10-83)



| REF. # | PART NO. | DESCRIPTION | QUAN. REQ'D |
|--------|----------|--|-------------|
| 1 | 400 889 | Slide Arm | 2 |
| 2 | 400 890 | Retainer | 2 |
| 3 | 400 286 | Capscrew, Hex Hd. 5/16-11x1 1/4 Gr. 5 | 8 |
| 4 | 500 275 | Lockwasher, 5/16 Std. (400 113) | 8 |
| 5 | 400 300 | Stop Dog | 2 |
| 6 | 400 891 | Spiral Pin | 2 |
| 7 | 400 892 | Slide Arm Assembly, RETRO. (includes ref. # 1, 2, 3, 4 & 6) | 2 |

NOTE:

Ref. #1, #2, and #6 start at serial no. 400-50-1895-3. For units prior to this, see pages #1 and #2.

Ref. #7, Slide Arm Assmbly RETRO. is for 1 (either) side, and will replace parts shown on pages #1 and #2.