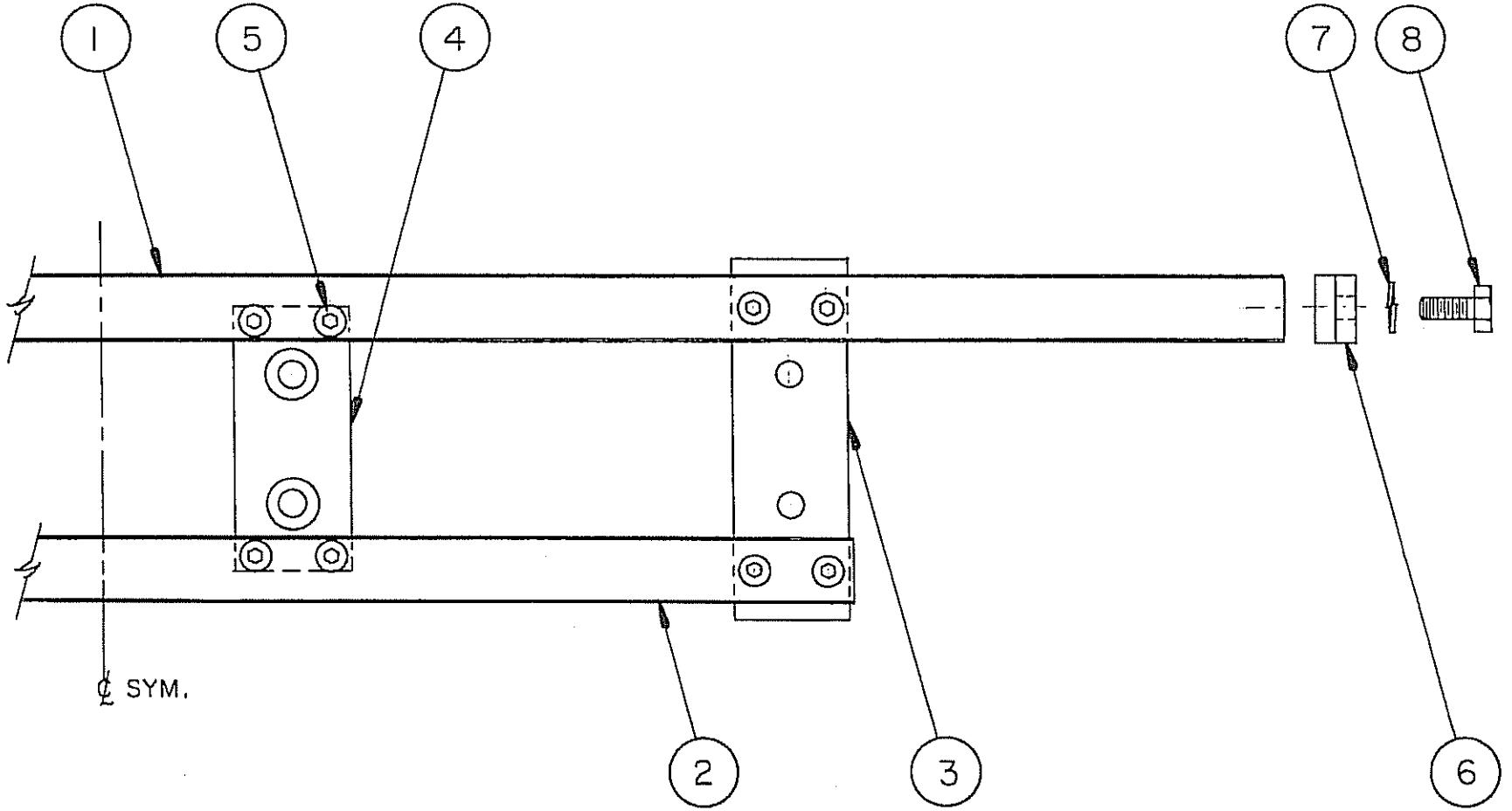


Q-350



Q-350

REF. NO.	PART NO.	DESCRIPTION	NO. REQ.
1	400 895	SLIDE RAIL, UPPER, 75-1/2" LONG, CHROMED	1
2	400 896	SLIDE RAIL, LOWER, 45-1/2" LONG, CHROMED	1
3	400 897	MOUNTING PAD, OUTER	2
4	400 898	MOUNTING PAD, INNER	2
5	400 172	CAPSCREW, 5/8-18 x 2-1/4", SOCKETHEAD	16
6	400 907	SUPPORT BRACKET (UPPER SLIDE RAIL)	2
7	500 226	LOCKWASHER, 3/4"	2
8	400 908	CAPSCREW, 3/4-10 x 1-1/2" LG., HEX (GR. 5)	2
9	400 160	BACK BEAM ASSEMBLY (COMPLETE)	1

<i>LAYTON MANUFACTURING COMPANY</i>		DRAWN BY: RP	
SALEM, OREGON		DATE: 3/26/85	
HD-	CB-	DR-	PIC. NO.
HD-	CB-	DR-	SHEET NO. 69
TITLE: BACK BEAM ASSEMBLY		DRAWING NO.:	
		Q-350	PAGE NO. 3

3