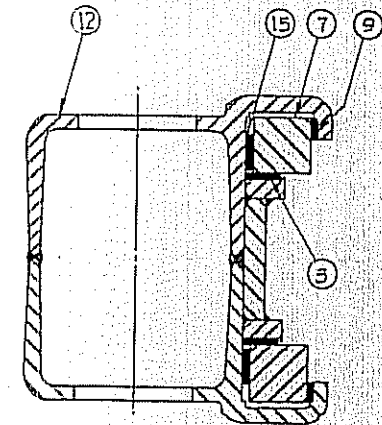
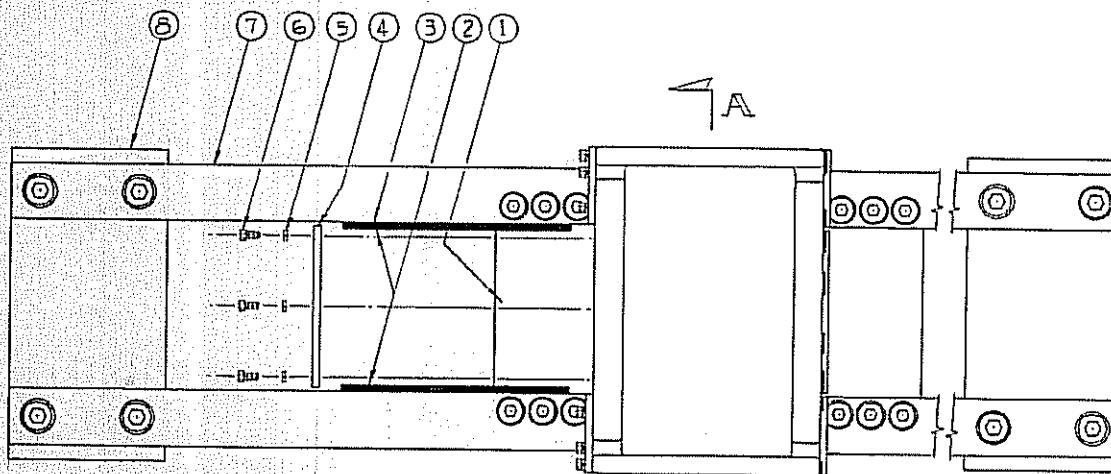


PLAN VIEW



SECTION A-A



FRONT ELEVATION

16	400-166	SHIM, BRASS 1 x 8 x .015 THICK	1
15	400-167	SLIDE BEARING	2
14	400-172	SOCKET HEAD CAPSCREW	2
13	400-173	SOCKET HEAD CAPSCREW	12
12	400-139	CLIPS	1
11	400-171	SHIM, BRASS 1 x 10 x .010 THICK	1
10	400-170	SLIDE BEARING RETAINER	2
9	400-169	SLIDE BEARING	2
8	400-168	END PAD	2
7	400-167	SLIDE BAR	2
6	500-567	HEX HEAD CAPSCREW W. 70LX#2	9
5	500-071	STD. LOCKWASHER 1/4"	9
4	400-164	SLIDE BEARING RETAINER	1
3	400-163	SLIDE BEARING	2
2	400-162	SHIM, BRASS 7/8 x 8 x .010	2
1	400-161	BUYER PAD	1
	400-160	BACK BEAM COMPLETE	1
REV. NO.	PART NO.	DESCRIPTION	NO. ENG. CHG.

LAYTON MFG. CO.	
SALEM, OREGON	
DESIGNED BY	CLYDE HITCHEL
ENGINEER	CLYDE HITCHEL
DATE	NOV 19 1955
REV. NO.	1
REV. BY	CLYDE HITCHEL
REV. DATE	NOV 19 1955

130508