

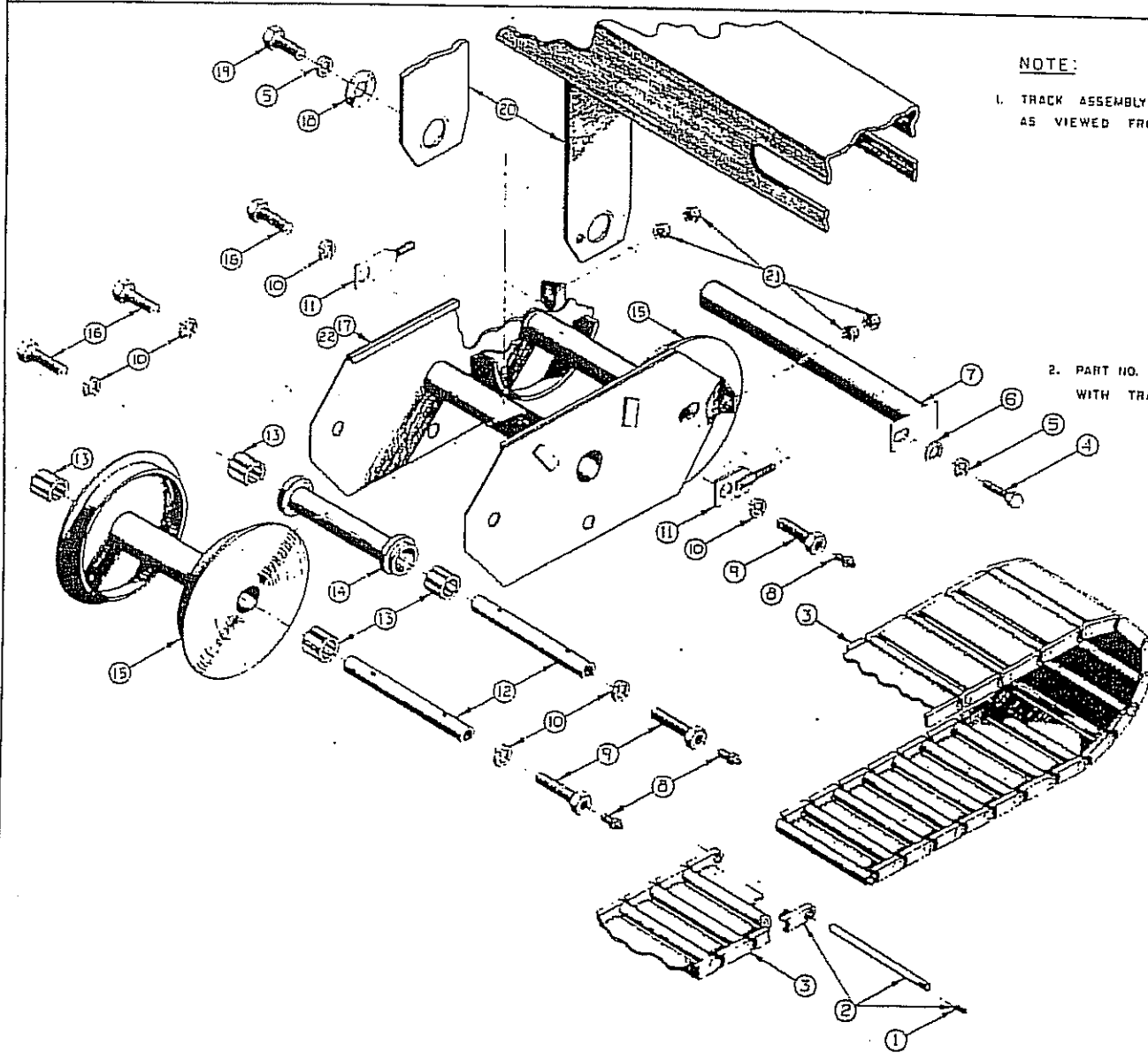
NOTE:

1. TRACK ASSEMBLY SHOWN, IS LEFT SIDE OF PAVER AS VIEWED FROM OPERATORS POSITION.



PAVER TRAVEL

2. PART NO. 52, IS THE COMPLETE TRACK UNDERCARRIAGE ASSY. WITH TRACK AND WHEELFRAME GROUP COMPLETE.



	70R	TRACK ASSY. (COMPLETE)	R.H.	1	
	70L	TRACK ASSY. (COMPLETE)	L.H.	1	
22	65R	WHEEL FRAME (RIGHT SIDE)		1	D
21	300-000	HEX NUT 1/2-13 NC		8	
20	56	UNDERCARRIAGE FRAME (FOR TRACKS)		1	D
19	300-262	HEX HEAD CAPSCREW 1/2-13 X 1" LD.		2	
18	87	TRACK FRAME PIN WASHER		2	D
17	53L	WHEEL FRAME (LEFT SIDE)		1	D
16	300-225	HEX HEAD CAPSCREW 3/4-10 X 1 1/4 LG.		6	
15	55	TRACK WHEEL 7" RUSHING		4	D
14	77	IDLER ROLLER 7" RUSHING		2	D
13	70	WHEEL RUSHING		12	D
12	71	AXLE		6	D
11	300-223	TRACK ADJUSTING SCREW		4	D
10	300-226	STD. LOCKWASHER 3/4		12	
9	74	HEX HEAD CAPSCREW - (SPECIAL)		6	D
8	300-176	BREAST FITTING 1/2 NPT STRAIGHT		6	
7	86	WHEEL FRAME PIN		2	D
6	300-183	STD. FLAT WASHER 1/2		2	
5	300-039	STD. LOCKWASHER 1/2		4	
4	300-221	HEX HEAD CAPSCREW 1/2-13 NC X 3/4 LG.		2	
3	67	PAVER TRACK ASSEMBLY		2	D
2	68	TRACK CONNECTING PIN ASSY.		2	D
1	300-200	SOCKET HEAD SETSCREW 3/8-16 X 3/8		2	

14075:

LAYTON MANUFACTURING COMPANY SALEM, OREGON		DATE: 3-17-72 NO: 2 DRAWING NO: 14075
TITLE: PAVER TRACK ASSEMBLY		SCALE: 1" = 1"
REPORT ALL DIMENSIONS TO THIS DRAWING	DRAWN BY: PAVER	CHECKED BY: D-870