

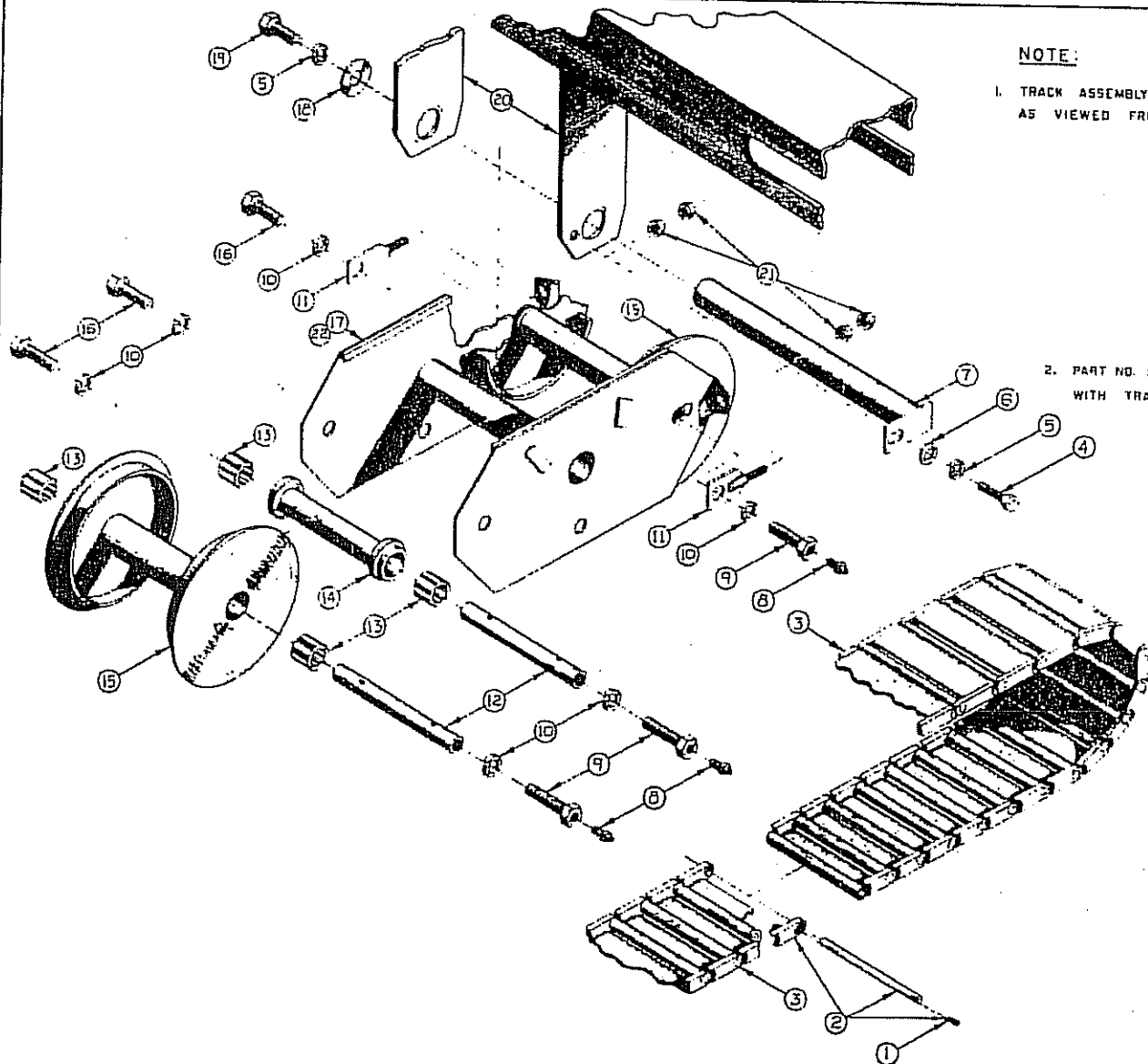
**NOTE:**

1. TRACK ASSEMBLY SHOWN, IS LEFT SIDE OF PAVER AS VIEWED FROM OPERATORS POSITION.



PAVER TRAVEL

2. PART NO. 52, IS THE COMPLETE TRACK UNDERCARRIAGE ASSY. WITH TRACK AND WHEELFRAME GROUP COMPLETE.



22	78R	TRACK ASSY. (COMPLETE) R.H.	1
	78L	TRACK ASSY. (COMPLETE) L.H.	1
22	83R	WHEEL FRAME (RIGHT SIDE)	1
21	500-090	HEX NUT 1/2-13 NC	0
20	36	UNDERCARRIAGE FRAME (FOR TRACKS)	1
19	500-262	HEX HEAD CAPSCREW 1/2-13 X 1" LG.	2
18	87	TRACK FRAME PIN WASHER	2
17	85L	WHEEL FRAME (LEFT SIDE)	1
16	500-225	HEX HEAD CAPSCREW 3/4-10 X 1 1/4 LG.	6
15	66	TRACK WHEEL 3/4 BUSHING	4
14	77	IDLER ROLLER 3/4 BUSHING	2
13	70	WHEEL BUSHING	12
12	71	AXLE	6
11	500-235	TRACK ADJUSTING SCREW	4
10	500-226	STD. LOCKWASHER 3/4	12
9	74	HEX HEAD CAPSCREW - (SPECIAL)	6
8	500-176	GREASE FITTING 1/8 NPT STRAIGHT	6
7	86	WHEEL FRAME PIN	2
6	500-189	STD. FLAT WASHER 1/2	2
5	500-058	STD. LOCKWASHER 1/2	4
4	82	HEX HEAD CAPSCREW 1/2-13 NC X 3/4 LG.	2
3	57	PAVER TRACK ASSEMBLY	2
2	58	TRACK CONNECTING PIN ASSY.	2
1	500-200	SOCKET HEAD SETSCREW 3/8-16 X 3/8	2

MP NO.	PART NO.	DESCRIPTION	QTY	REV.
<b>LAYTON</b> MANUFACTURING COMPANY SHELBY, INDIANA				
PAVER TRACK ASSEMBLY				
Rev. 2/83				
C-342				