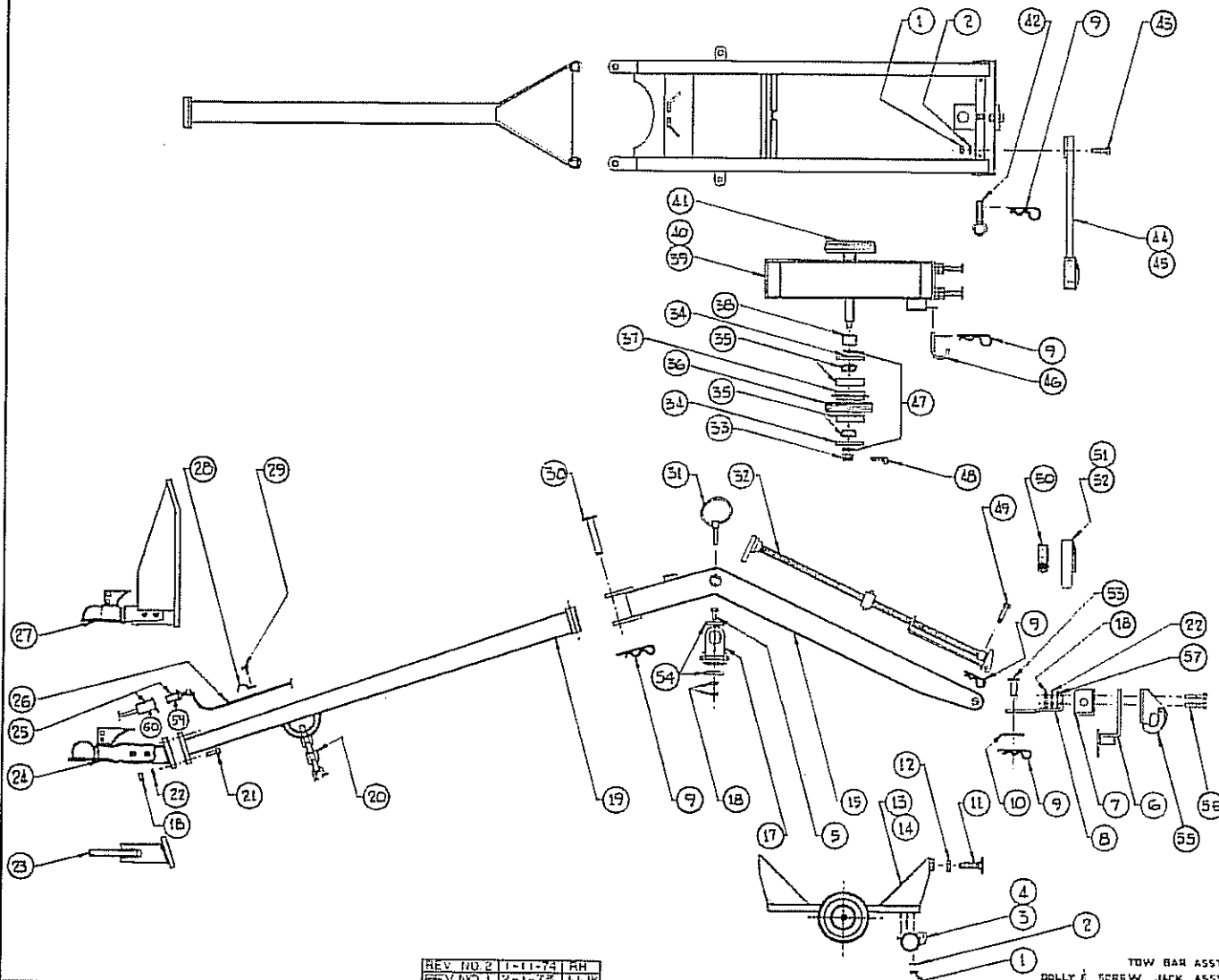


NOTES:

1. QUANTITIES SHOWN ARE FOR ONE COMPLETE TOW BAR.

2. RIGHT HAND AND LEFT HAND ARE DETERMINED AS SET IN TOWING VEHICLE.



46	800-161	FEMALE PLUG W/PICTAIL	1	
45	800-160	MALE PLUG	1	
48	800-154	PARTS MANUAL	1	
47	500-189	STD FLAT WASHER 1/2 DIA	2	
46	500-198	HEX CAP SCREW 1/2-13 NC X 2 LG	2	
45	800-159	SCREW JACK LIFT PLATE WELD	1	D-328
44	800-153	SWING HINGE SPACER	4	D-301
43	800-152	HOPPER ATTACH PIN	1	D-317
42	800-151	LIGHT BAR R.H. (FRAME ONLY)	1	D-346
41	800-150	LIGHT BAR L.H. (FRAME ONLY)	1	D-346
40	800-149	TAIL LIGHT ASSEMBLY	2	
39	800-148	SCREW JACK RESTRICTOR PIN	1	D-347
38	800-147	COTTER PIN 1/4 DIA X 2 LG	4	
37	800-146	BEARING SLEEVE	8	
36	800-145	DOLLY SOCKET J-HOOK	2	D-394
35	800-144	LIGHT BAR WITH LIGHT ASSY. R.H.	1	
34	800-143	LIGHT BAR WITH LIGHT ASSY. L.H.	1	
33	800-195	HEX HEAD CAPSCREW 7/8-16NC X 2 LG	2	
32	800-181	HOPPER ATTACH ANGLE PIN	2	D-327
31	800-180	WHEEL ASSEMBLY WITH BEARING & CAMS	2	
30	800-139	DOLLY WHEEL W/ DOLLY SOCKET (LH)	1	D-302
29	800-138	DOLLY WHEEL W/ DOLLY SOCKET (RH)	1	D-302
28	800-137	SPACERS	4	D-347
27	800-136	HUB	4	
26	800-135	WHEEL ASSEMBLY (LH) (BEAR & SEALS)	2	
25	800-134	BEARING ASSEMBLY	8	
24	800-133	GREASE GEAR	4	
23	800-132	HEAVY GLOTTED NUT 1 1/2-7	1	D-306
22	800-131	SCREW JACK	1	
21	800-130	ARMAMENT PIN	2	
20	800-129	LOCKING PIN	2	D-345
19	800-128	ROUND HEAD MACH SCREW W/ LOCK WEL	9	
18	800-127	STEEL CLAMPS	9	
17	800-126	DROP BALL COUPLING	1	D-370
16	800-125	WIRING HARNESS	1	D-350
15	800-124	CONNECTOR ASSY. W/PICTAIL	1	
14	800-123	BALL COUPLING	1	D-315
13	800-122	LUNETTE EYE	1	D-315
12	800-088	SPRING LOCKWASHER 1/2	6	
11	500-099	HEX HEAD CAPSCREW 1/2-13NC (1 1/2 LG)	4	
10	800-119	CHAIN	1	
9	800-118	TONGUE	1	D-325
8	800-080	HEX NUT 1/2-13NC	11	
7	800-116	SWING HINGE	2	D-307
6	800-114	FRAME	1	D-374
5	800-113	DOLLY ASSEMBLY-LH COMPLETE	1	D-357
4	800-112	DOLLY ASSEMBLY-RH COMPLETE	1	D-357
3	800-111	HEX JAW NUT 1/2-13NC	4	
2	800-110	DOLLY SET SCREW	4	D-375
1	500-109	REAR PIN WASHER	1	D-347
0	1500-194	HAIR PIN COTTER 3/16	8	
0	800-106	REAR FRAME MOUNT	1	D-345
0	800-105	HOPPER ATTACH BRACKET	1	D-346
0	500-098	HEX HEAD CAPSCREW 1/2-13NC (1 1/2 LG)	4	
0	800-107	DOLLY SOCKET RIGHT HAND	1	D-374
0	800-107	DOLLY SOCKET LEFT HAND	1	D-374
0	500-094	SPRING LOCKWASHER 3/8	8	
0	500-092	HEX NUT 3/8-16NC	8	
REP	PART NO.	DESCRIPTION	REQ	SWG. NO.

14119 FOR BILL OF MATERIAL

TOW BAR ASSY: SEE BM 800-1 TO-3
DOLLY & SCREW JACK ASSY: SEE BM 800-19 TO-21

LAYTON MFG. CO. SALEM, OREGON	
DATE: 10-7-69	BY: JCH
PAVER TOW BAR ASSEMBLY (TRACK)	
REV. 7-68	D-352

REV. NO. 2 11-1-74 RH
REV. NO. 1 7-1-73 LUN