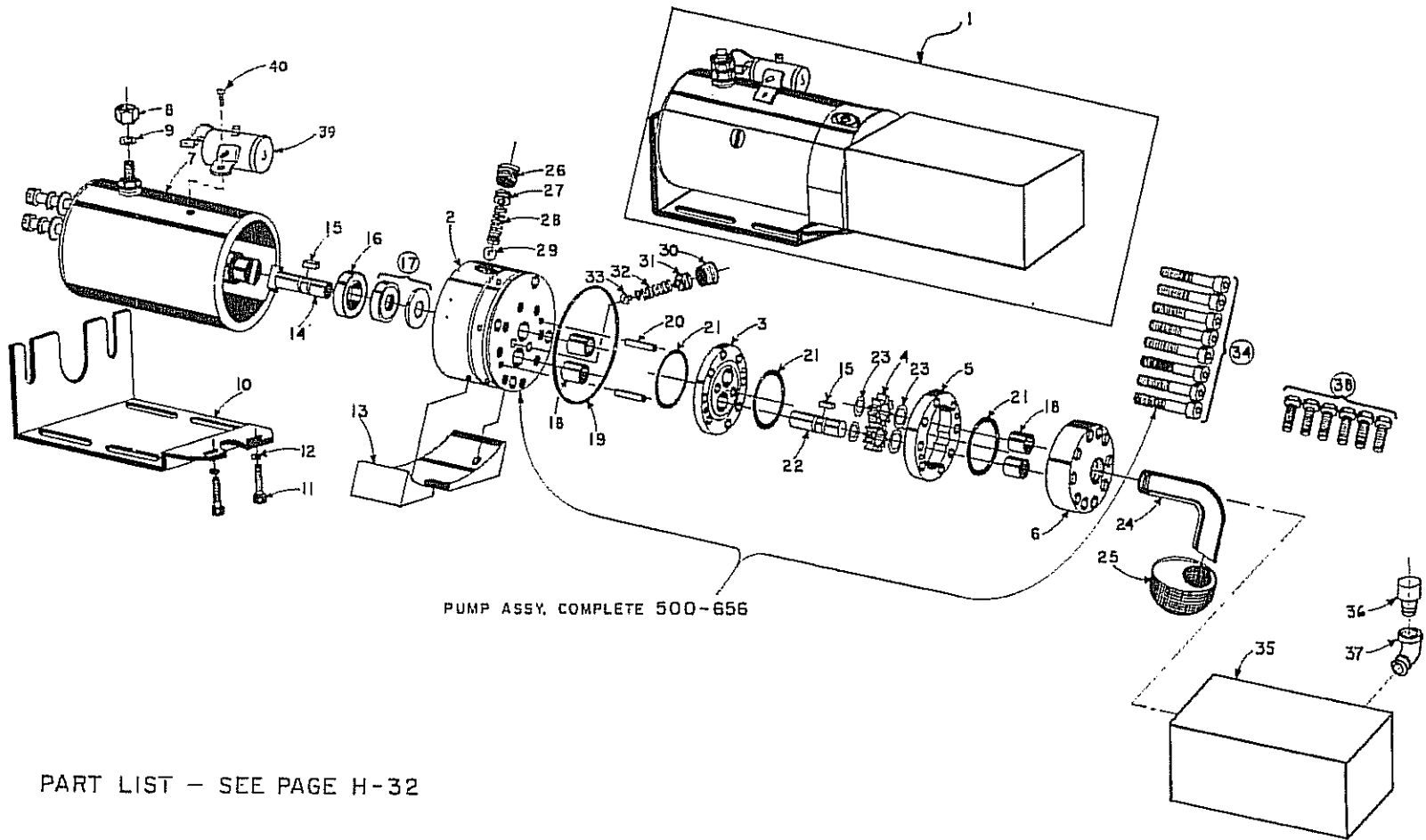


# HYDRAULIC POWER PACKAGE



PART LIST - SEE PAGE H-32