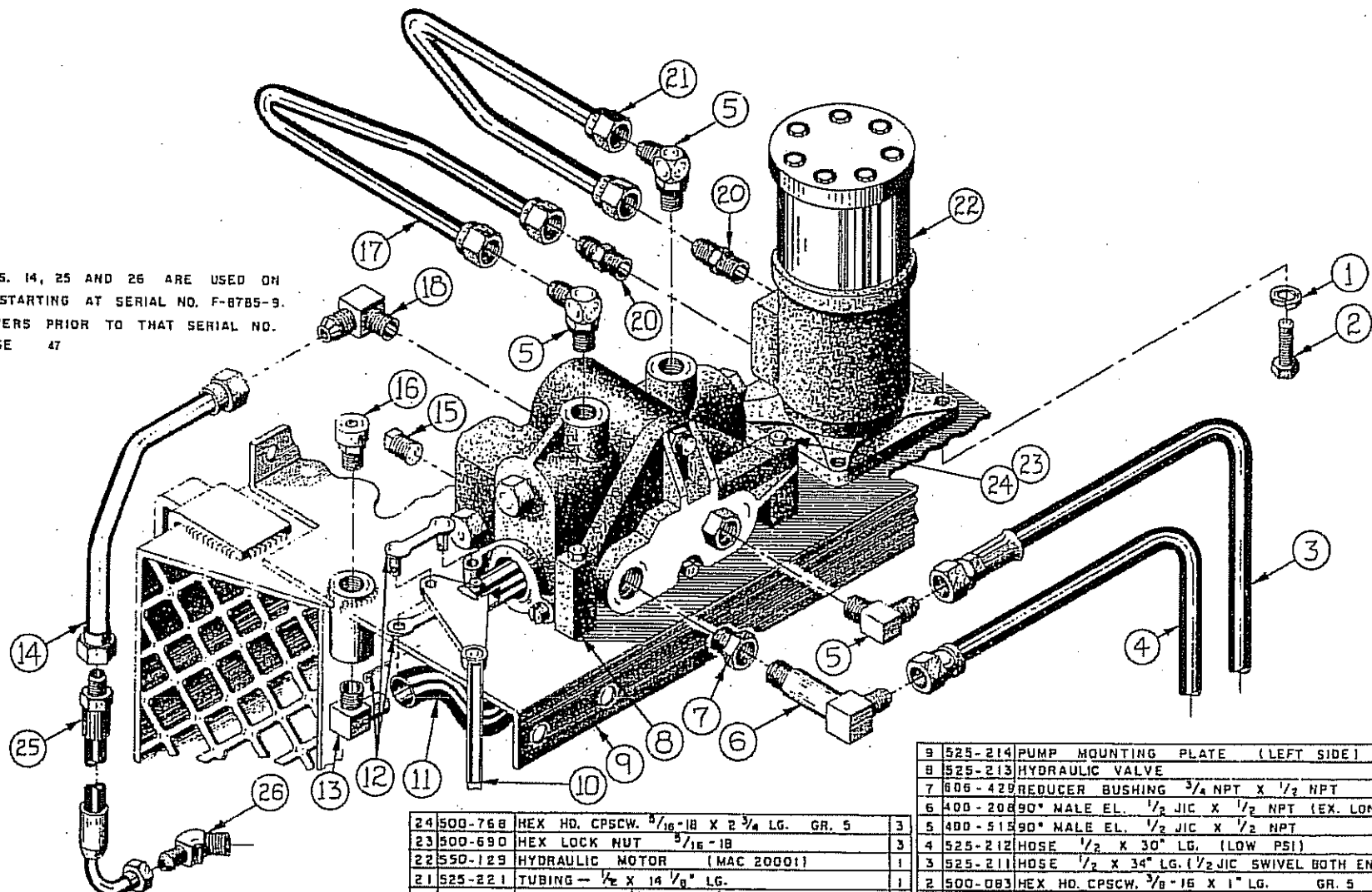


**NOTE:**

REF. NOS. 14, 25 AND 26 ARE USED ON  
PAVERS STARTING AT SERIAL NO. F-8785-9.  
FOR PAVERS PRIOR TO THAT SERIAL NO.  
SEE PAGE 47



24	500-768	HEX HD. CPSCW. $\frac{5}{16}$ "-18 X 2 $\frac{3}{4}$ " LG. GR. 5	3
23	500-690	HEX LOCK NUT $\frac{5}{16}$ "-18	3
22	550-129	HYDRAULIC MOTOR (MAC 20001)	1
21	525-221	TUBING - $\frac{1}{2}$ " X 14 $\frac{1}{8}$ " LG.	1
20	400-869	MALE CONN. $\frac{1}{2}$ " JIC X $\frac{1}{2}$ " NPT	2
18	400-200	90° EL. $\frac{1}{2}$ " JIC X $\frac{3}{4}$ " NPT	1
17	525-220	TUBING $\frac{1}{2}$ " X 15 $\frac{5}{8}$ " LG.	1
16	500-066	BREATHER CAP	1
15	500-011	PIPE PLUG - SQ. HD. $\frac{3}{4}$ " NPT	1
14	525-219	TUBING $\frac{1}{2}$ " X 22 $\frac{1}{2}$ " LG.	1
13	525-110	90° EL. HOSE ADAPTOR $\frac{3}{4}$ " NPT X $\frac{3}{4}$ " HOSE	1
12	525-217	HANDLE LINKAGE	1
11	525-216	BREATHER HOSE $\frac{3}{4}$ " X 7" LG.	1
10	525-215	VALVE HANDLE	1

9	525-214	PUMP MOUNTING PLATE (LEFT SIDE)	1
8	525-213	HYDRAULIC VALVE	1
7	806-429	REDUCER BUSHING $\frac{3}{4}$ " NPT X $\frac{1}{2}$ " NPT	1
6	400-208	90° MALE EL. $\frac{1}{2}$ " JIC X $\frac{1}{2}$ " NPT (EX. LONG)	1
5	400-515	90° MALE EL. $\frac{1}{2}$ " JIC X $\frac{1}{2}$ " NPT	3
4	525-212	HOSE $\frac{1}{2}$ " X 30" LG. (LOW PSI)	1
3	525-211	HOSE $\frac{1}{2}$ " X 34" LG. ( $\frac{1}{2}$ " JIC SWIVEL BOTH ENDS)	1
2	500-083	HEX HD. CPSCW. $\frac{3}{8}$ "-16 X 1" LG. GR. 5	4
1	500-056	STD. LOCKWASHER $\frac{3}{8}$ "	4

**LAYTON** MANUFACTURING COMPANY  
SALEM, OREGON

TITLE:	HYDRAULIC EXTENSION VALVE AND MOTOR ASSY. (LEFT SIDE)		
REV.:	2/83	DATE:	11-9-79
DESIGNED BY:	None	CHECKED BY:	None

26	607-898	45° MALE EL. $\frac{1}{2}$ " JIC X $\frac{3}{8}$ " NPT	1
25	525-246	HOSE $\frac{1}{2}$ " X 12" LG.	1