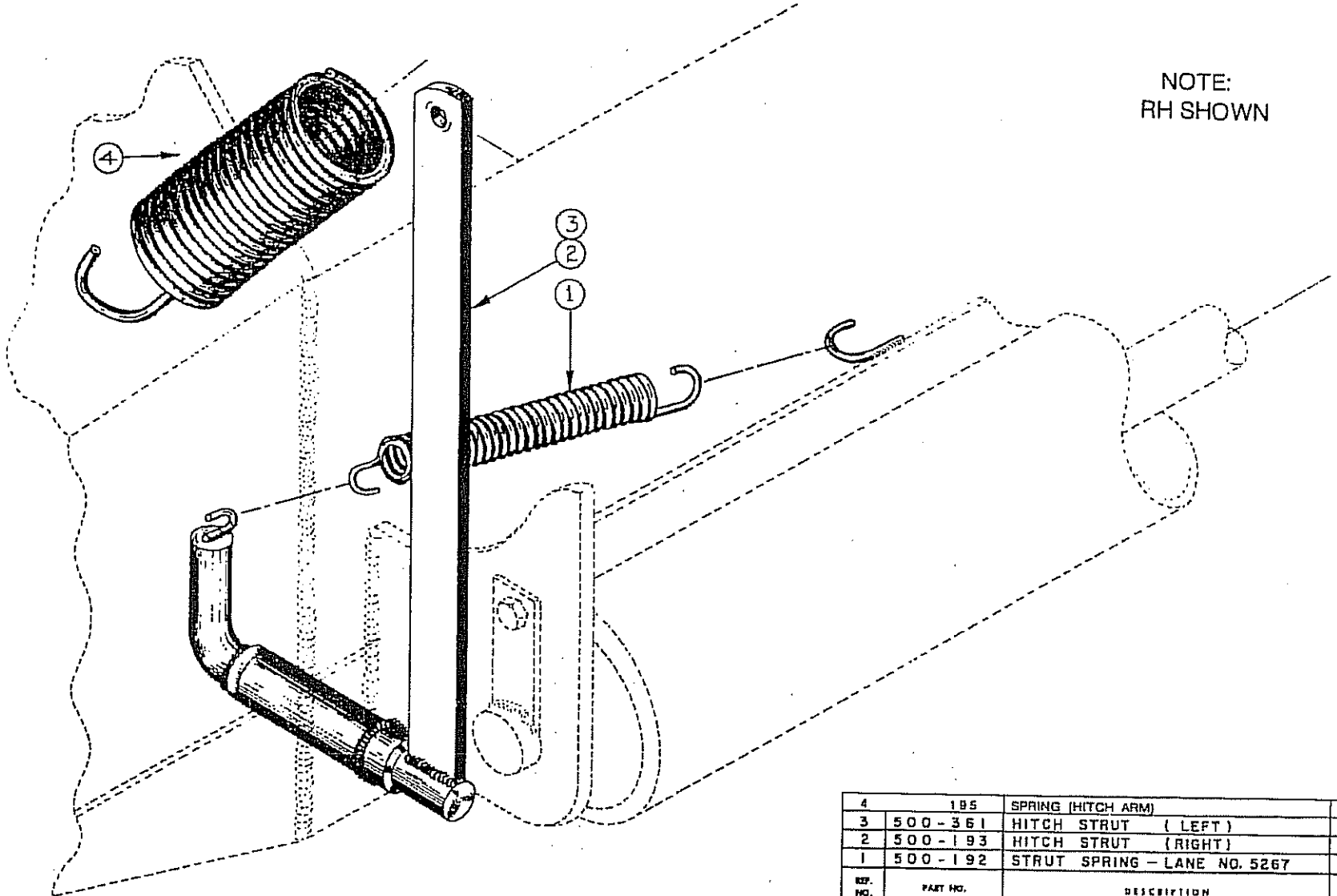


NOTE:  
RH SHOWN



NOTE:  
RIGHT SIDE SHOWN

4	185	SPRING (HITCH ARM)	2
3	500-361	HITCH STRUT (LEFT)	1
2	500-193	HITCH STRUT (RIGHT)	1
1	500-192	STRUT SPRING - LANE NO. 5267	2
REF. NO.	PART NO.	DESCRIPTION	NO. REQ.

<b>LAYTON</b> MANUFACTURING COMPANY SALEM, OREGON		DATE: 6-19-73 SCALE: NONE DRAWN BY: <i>Alan Phelps</i>
TITLE: HITCH STRUT ASSEMBLY		REVISIONS:
Rev. 2/83		DATE: _____
PRODUCT: PAVER F-525	PART NO:	DWG. NO: C-227

REPORT ALL  
ERRORS TO  
ENGINEERING  
DEPARTMENT

DO NOT  
SCALE  
DRAWINGS