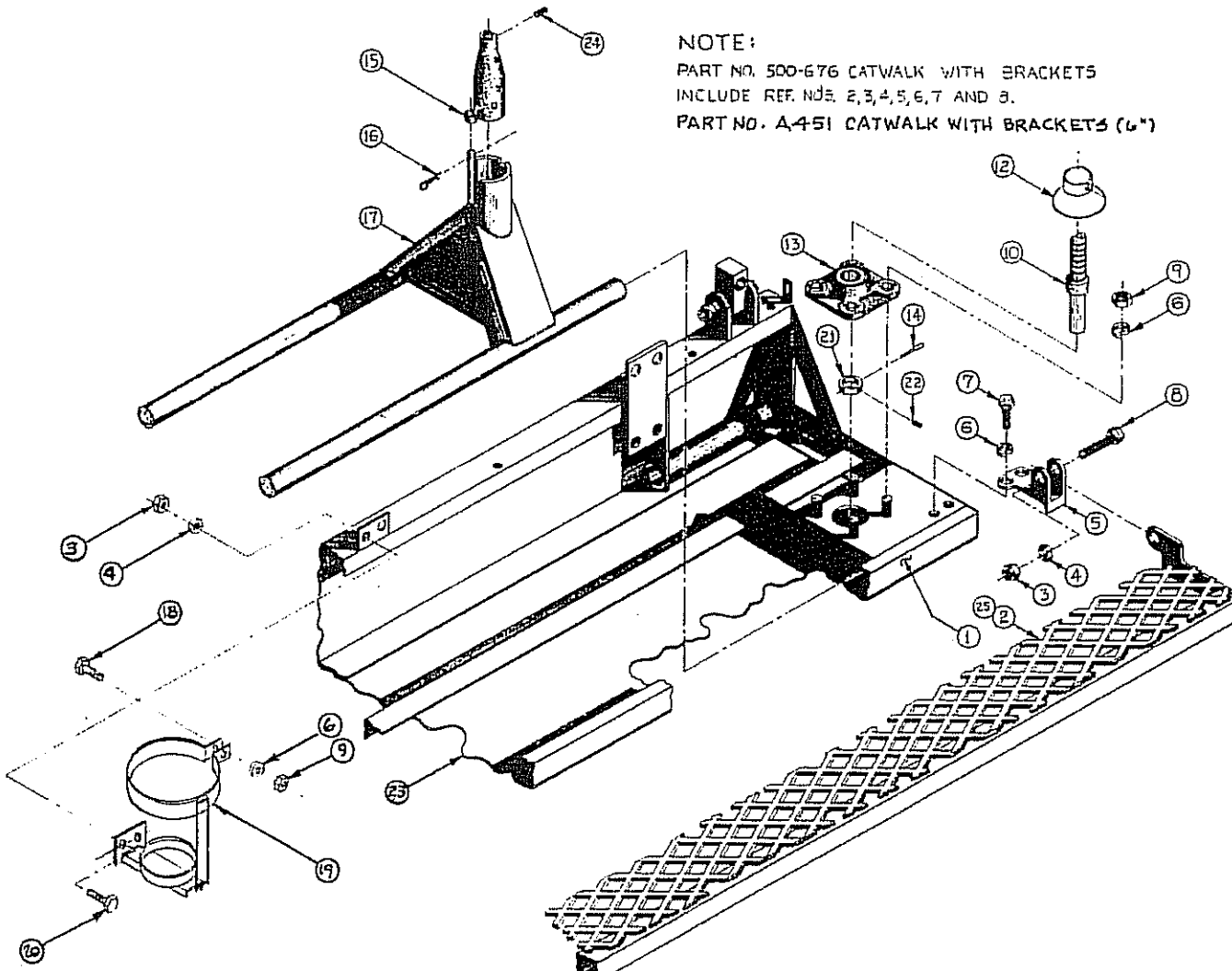


NOTE:

PART NO. 500-676 CATWALK WITH BRACKETS
INCLUDE REF. NOS. 2, 3, 4, 5, 6, 7 AND 8.

PART NO. A-451 CATWALK WITH BRACKETS (6")



QTY	PART NO.	DESCRIPTION	UNIT	REMARKS
1	A-451	CATWALK 9"	1	
24	500-493	SO. HD SETSCREW 3/8"-18 x 3/4" LG.	2	
23	107	SCRIBED PLATE	1	
22	500-200	SETSCREW	2	
21	148	BEARING COLLAR	2	
20	500-084	HEX. HD. CAPSCREW 1/2"-13 x 1 1/4" LG.	4	
19	A-461	PROPANE TANK MOUNTING DRKT.	1	
18	500-195	HEX. HD. CAPSCREW 3/8"-16 x 2" LG.	1	
17	A-489	HEAT EXCHANGER	2	
16	500-382	HAIR PIN 1/8" x 2 1/2" LG.	2	
15	A-477	NUT	2	
14	500-203	TAPER PIN NO. 5 x 2 1/2" LG.	2	
13	147	ADJUSTING SCREW BEARING	2	
12	500-201	BEARING COVER	2	
11	500-200	SOCKET HEAD SETSCREW 3/8" x 1/2" LG.	2	
10	146	SCRIBED ADJUSTING SCREW	2	
9	500-012	HEX NUT 3/8"-16 MC	10	
8	500-198	HEX HEAD CAPSCREW 1/2"-13 x 2" LG.	2	
7	500-083	HEX HEAD CAPSCREW 3/8"-18 x 1" LG.	4	
6	500-086	LOCKWASHER 3/8"	15	
5	A-447	CATWALK ATTACHING BRACKET R.F.L.	2	
4	500-030	LOCKWASHER 1/2"	2	
3	500-080	HEX NUT 1/2"-13	4	
2	500-620	CATWALK 12"	1	
1	106	SCRIBED FRAME	1	

REV.	DATE	DESCRIPTION	BY	CHKD.
1				

LAYTON MANUFACTURING COMPANY
SALISBURY, OREGON

TITLE: HEAT EXCHANGER LOCATION

DATE: 3-1-77
BY: HONE

PROJECT: PAVAR 11-500

REV. 7-85

SCALE: AS SHOWN

NO. 961