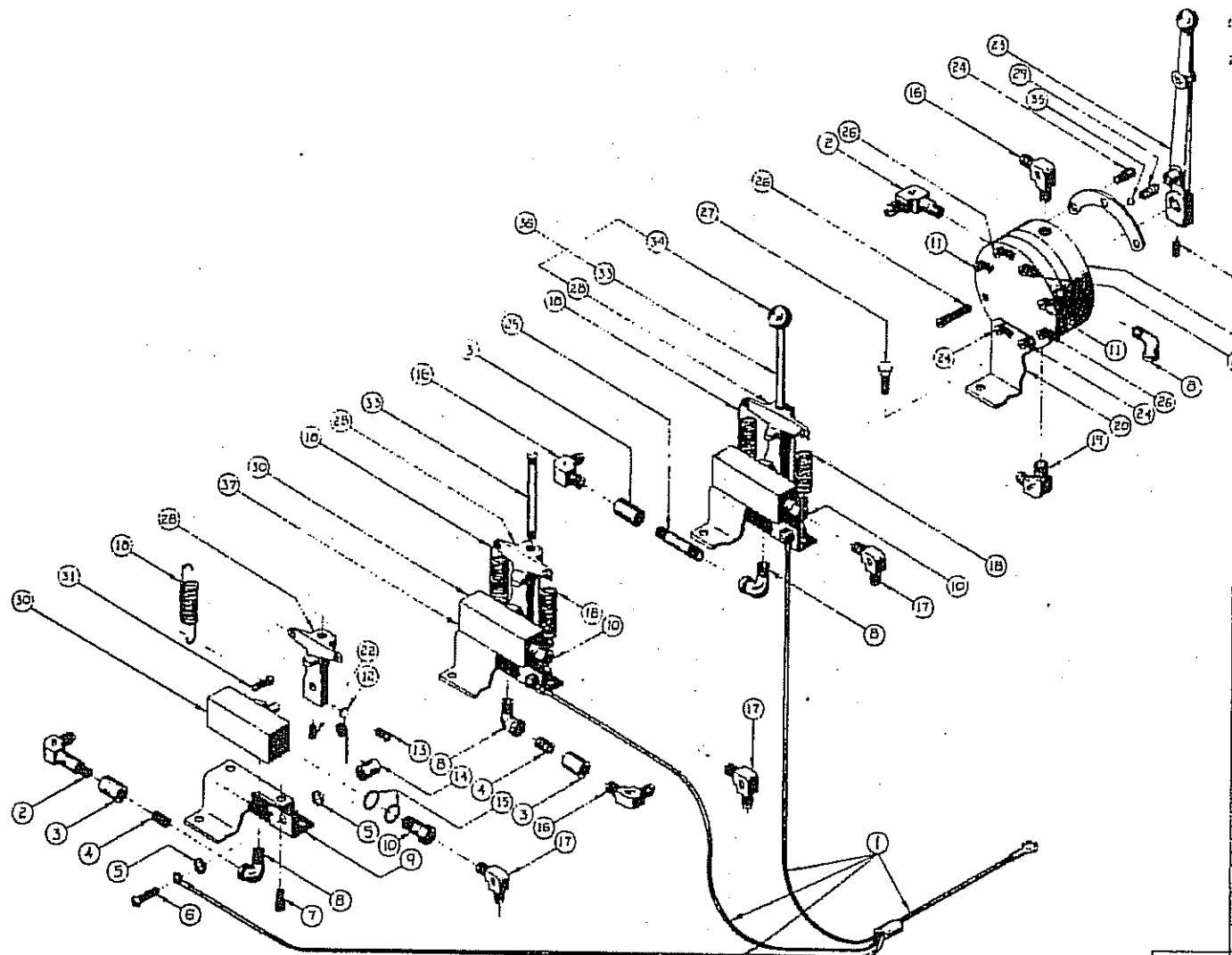


NOTE:

- 1 REF NO 32 PART NO 101 INCLUDES REF NOS 1 PART NO 047
- 2 REF NO 37 PART NO 500 054 INCLUDES REF NOS 5 & 7, 9, 10, 12, 13, 14, 15, 16, 18, 19, 20, 31 & 56



37	500-054	1 WAY VALVE COMPLETE	3
36	500-152	CONTROL VALVE HANDLE COMPLETE	3
35	500-478	SELECTOR BALL	1
34	500-339	BALL HANDLE	1
33	500-437	VALVE HANDLE	1
32	500-163	4 WAY VALVE COMPLETE HANDLE MOUNTING	1
31	500-134	ROUND HEAD MACH SCREW 10-32 X 1/2 LG	6
30	500-133	VALVE HOUSING 1/3 WAY CONTROL	3
29	500-477	SELECTOR SPRING	1
28	500-479	CONTROL VALVE HANDLE BASE	1
27	500-362	HEX HEAD CAPSCREW 1/4 ZINC PLD	14
26	500-151	SOCKET HD CAPSCREW 10-24 X 1/2 LG	4
25	500-475	PIPE NIPPLE 1/4 NPT 2 1/2 LG 5/8 OD	1
24	500-144	SOCKET HD CAPSCREW 10-24 X 1/2 LG	4
23	500-146	SELECTOR VALVE HANDLE	1
22	500-147	SETScrew-EDGE POINT 1/4 ZINC PLD	8
20	500-143	SELECTOR VALVE MOUNTING BRACKET	1
19	500-041	90° MALE ELBOW 1/2 JIC 1/2 NPT	1
18	500-144	EXTENSION SPRING	1
17	500-100	90° MALE ELBOW 1/2 JIC 1/2 NPT	8
16	500-039	90° MALE ELBOW 1/2 JIC 1/2 NPT	3
15	500-143	CHECK VALVE COPPER GASSET	6
14	500-142	HUB NUT	3
13	500-141	ROUND HD MACH SCREW 10-24 X 1/4 LG	3
12	500-140	CONTACT FINGER	3
11	500-133	SOCKET HD CAPSCREW 10-24 X 1/2 LG	2
10	500-134	CHECK VALVE	1
9	500-130	CONTROL VALVE BASE PLATE	3
8	500-040	90° STREET ELBOW 1/2 NPT	3
7	500-137	SOCKET HD CAPSCREW 1/4 ZINC PLD	6
6	500-136	ROUND HD SCREW 10-32 X 1/4 LG	3
5	500-133	INSULATOR WASHER 10 32	6
4	500-041	CLOSE NIPPLE 1/4 NPT	2
3	500-134	COUPLING 1/4 NPT	3
2	500-043	90° MALE ELBOW 1/2 JIC 1/2 NPT (LONG)	2
1	500-133	WIRING HARNESS	1

LAYTON MANUFACTURING COMPANY SALEM, OREGON		FOR SALE 1-3-71 NONE
ELECTRIC - HYDRAULIC CONTROL / SELECTOR VALVES		100-110-0102 100-110-0102
MONARCH PAPER F-525		REV. 2/83 C-349