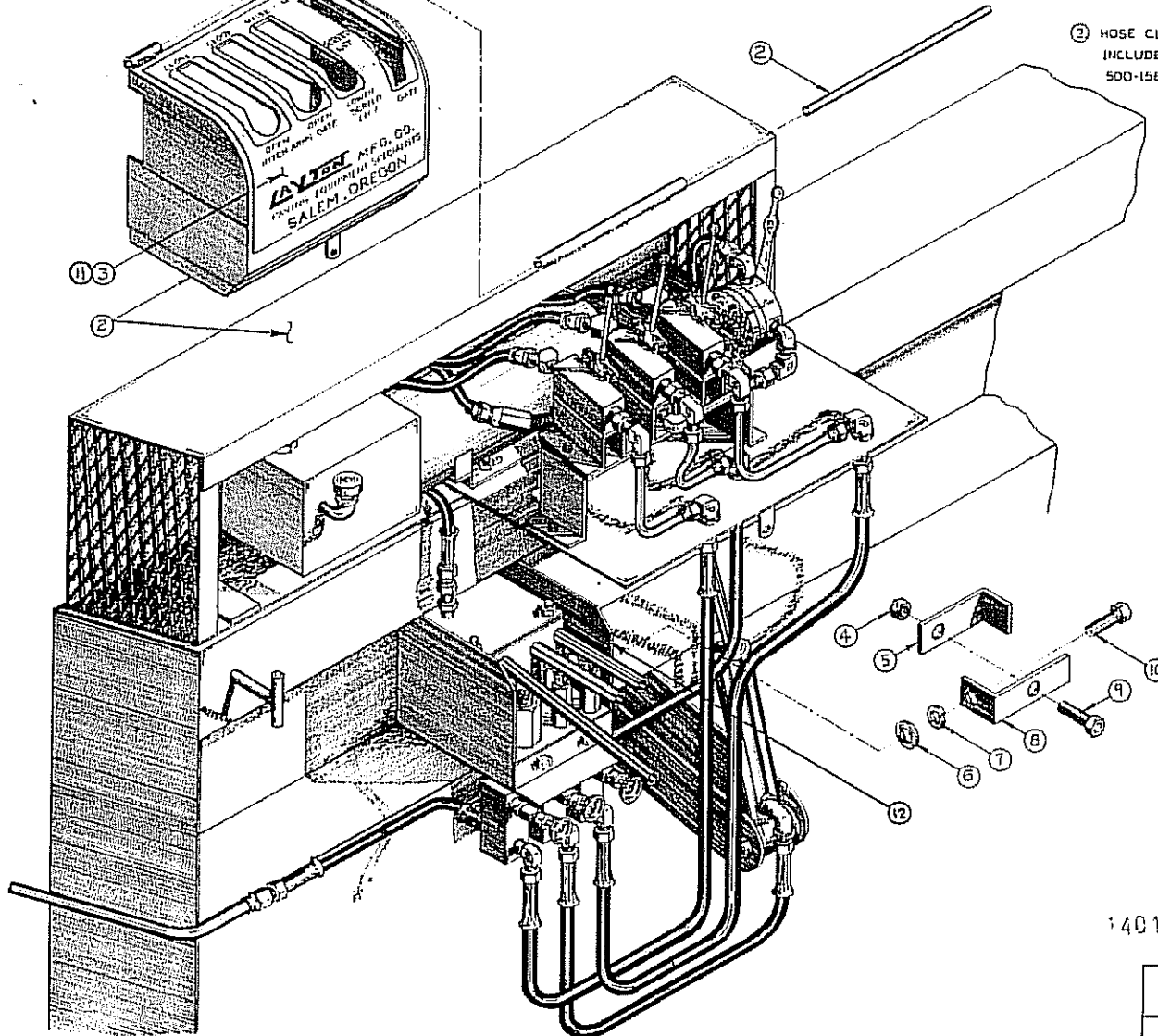


NOTES:

① POWER UNIT WITH VALVES, HOSES AND MOUNTING BRACKETS. (PART NO. 500-111)

② HOSE CLAMP ASSEMBLY (PART NO 500-161) INCLUDES PART NOS. 500-012, 500-156, 500-158 & 500-159.



QTY	PART NO.	DESCRIPTION	REV.	ENG. NO.
1	500-856	HYD. TANK SIDE SUPT.		
1	500-120	COVER ONLY W/ PIN		
10	500-083	HEX HEAD CAPSCREW 1/8-16NC X 1" LG		
4	500-154	HEX HEAD CAPSCREW 3/8-16NC X 1 1/2" LG		
8	500-158	HOSE CLAMP ATTACHMENT TO HAND PUMP		D-464
7	500-036	STD LOCKWASHER 3/8"		
6	500-004	STD. FLAT WASHER 3/8"		
5	500-156	HOSE CLAMP ATTACHMENT		
4	500-012	HEX NUT 3/8-16 NC		D-464
3	500-401	VALVE COVER DECAL		
2	500-060	POWER PACKAGE HOUSING W/DMT.		D-460
1				

REV.	PART NO.	DESCRIPTION	REV.	ENG. NO.
LAYTON MANUFACTURING COMPANY SALEM, OREGON				
TITLE: ELECTRIC-HYDRAULIC				
PROJECT: 500-PAVER				
REV. 7-85				
ID: 487				

140146

FOR ALL
SERIES TO
ENGINEERING
DEPARTMENT

DO NOT
SCALE
DRAWINGS