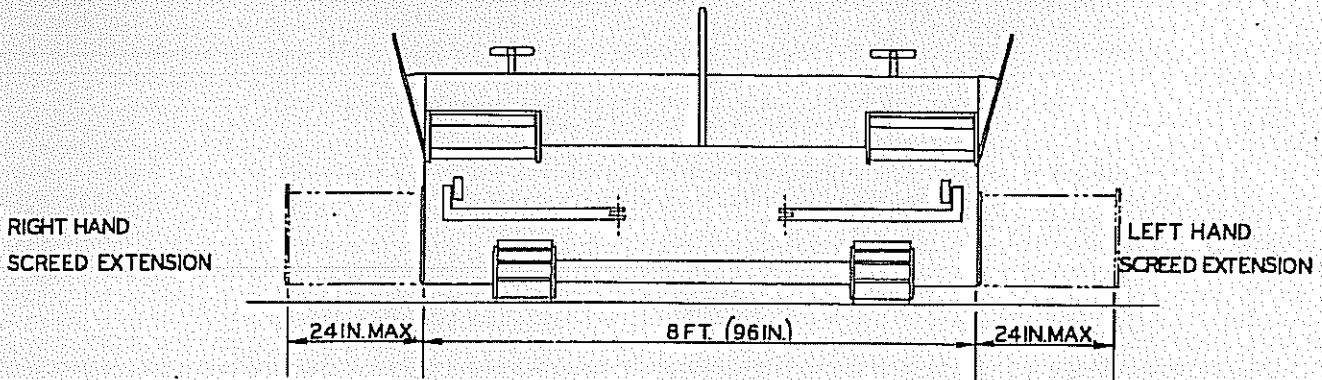


LAYTON PAVER DITCH PLATE — WIDTH COMBINATIONS



COMBINATIONS USING THE FOLLOWING	POSITIONS OF DITCH PLATES	INFINITELY VARIABLE
6' PLATE ON RIGHT 3' PLATE ON LEFT BOTH BLOCK OFF PLATES		0 IN. TO 42 IN.
6' PLATE ON LEFT 3' PLATE ON RIGHT BOTH BLOCK OFF PLATES		0 IN. TO 42 IN.
6' PLATE ON LEFT LEFT BLOCK OFF PLATE		28 IN. TO 76 IN.
6' PLATE ON RIGHT RIGHT BLOCK OFF PLATE		28 IN. TO 76 IN.
3' PLATE ON RIGHT 3' PLATE ON LEFT BOTH BLOCK OFF PLATES		28 IN. TO 76 IN.
3' PLATE ON RIGHT RIGHT BLOCK OFF PLATE		62 IN. TO 110 IN.
3' PLATE ON LEFT LEFT BLOCK OFF PLATE		62 IN. TO 110 IN.

