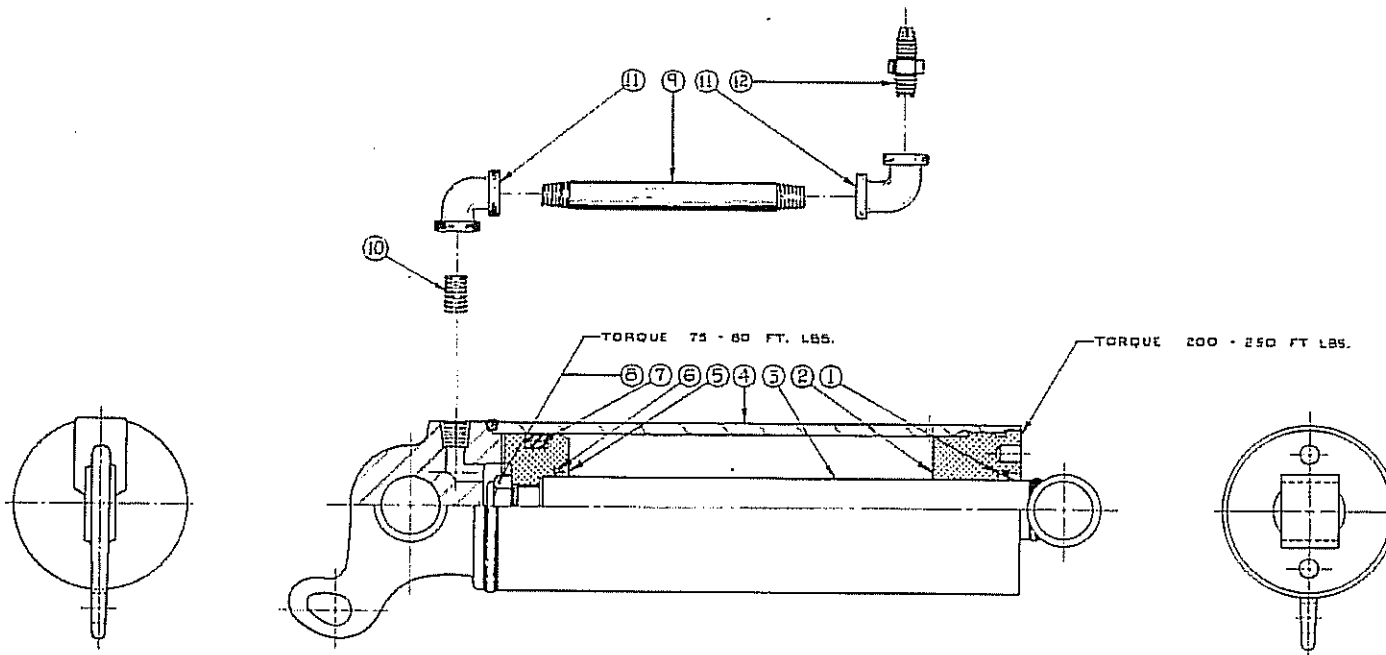


NOTE:

THIS CYLINDER (2 1/2" DIA.) IS FOR ELECTRIC, HYDRAULIC PAVER ONLY. FOR STANDARD PAVER SEE PAGE H-26



NOTE:

SEAL KIT (PART NO. 500-132) CONSISTS OF THE FOLLOWING PARTS.

- ① PART NO. 500-121 - ROD WIPER
  - ② PART NO. 500-126 - ROD SEAL (STATIC)
  - ③ PART NO. 500-127 - PISTON SEAL
- ② PART NO. 500-338 (RETRO KIT) CONSISTS OF PART NO. 500-132 SEAL KIT PLUS NEW STYLE, 2 PIECE PISTON.
- ③ PART NO. 500-162 - COMPLETE CYLINDER WITH FITTINGS.

12	500-109	MALE CONNECTOR 1/2 NPT	1
11	500-041	90° FEMALE ELBOW 1/4 NPT	2
10	500-043	CLOSE NIPPLE 1/4 NPT	1
9	500-124	PIPE NIPPLE 1/2 NPT X 4 1/2" LG.	1
8	500-128	HEX NUT (PISTON LOCK)	1
7	500-127	PISTON SEAL	1
6	500-126	ROD SEAL (STATIC)	1
5	500-125	PISTON	1
4	500-124	BARREL	1
3	500-123	ROD ASSEMBLY	1
2	500-122	RETAINER	1
1	500-094	ROD WIPER	1

QTY.	PART NO.	DESCRIPTION	REV.	DATE
<b>LAYTON</b> MANUFACTURING COMPANY LAKEM, OREGON				
140116		HEAVY DUTY 2 1/2" DIA.	REV. 7-85	500-38,38-A
PROJECT 500 PAVER		DATE 12-8-85	REV. 7-85	500-38,38-A
DRAWN BY		HECKEL	DATE	12-8-85
CHECKED BY		HECKEL	DATE	12-8-85
APPROVED BY		HECKEL	DATE	12-8-85
DO NOT SCALE DRAWINGS		PROJECT 500 PAVER PART 162		
		ID-491		