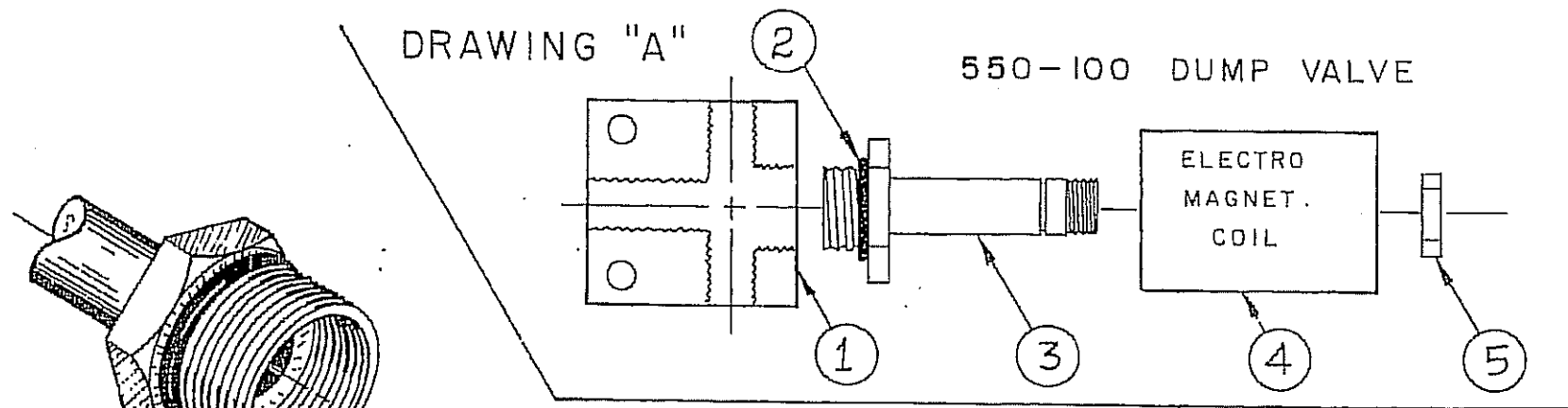


DRAWING "A"

550-100 DUMP VALVE

ELECTRO  
MAGNET.  
COIL



DRAWING "B"

