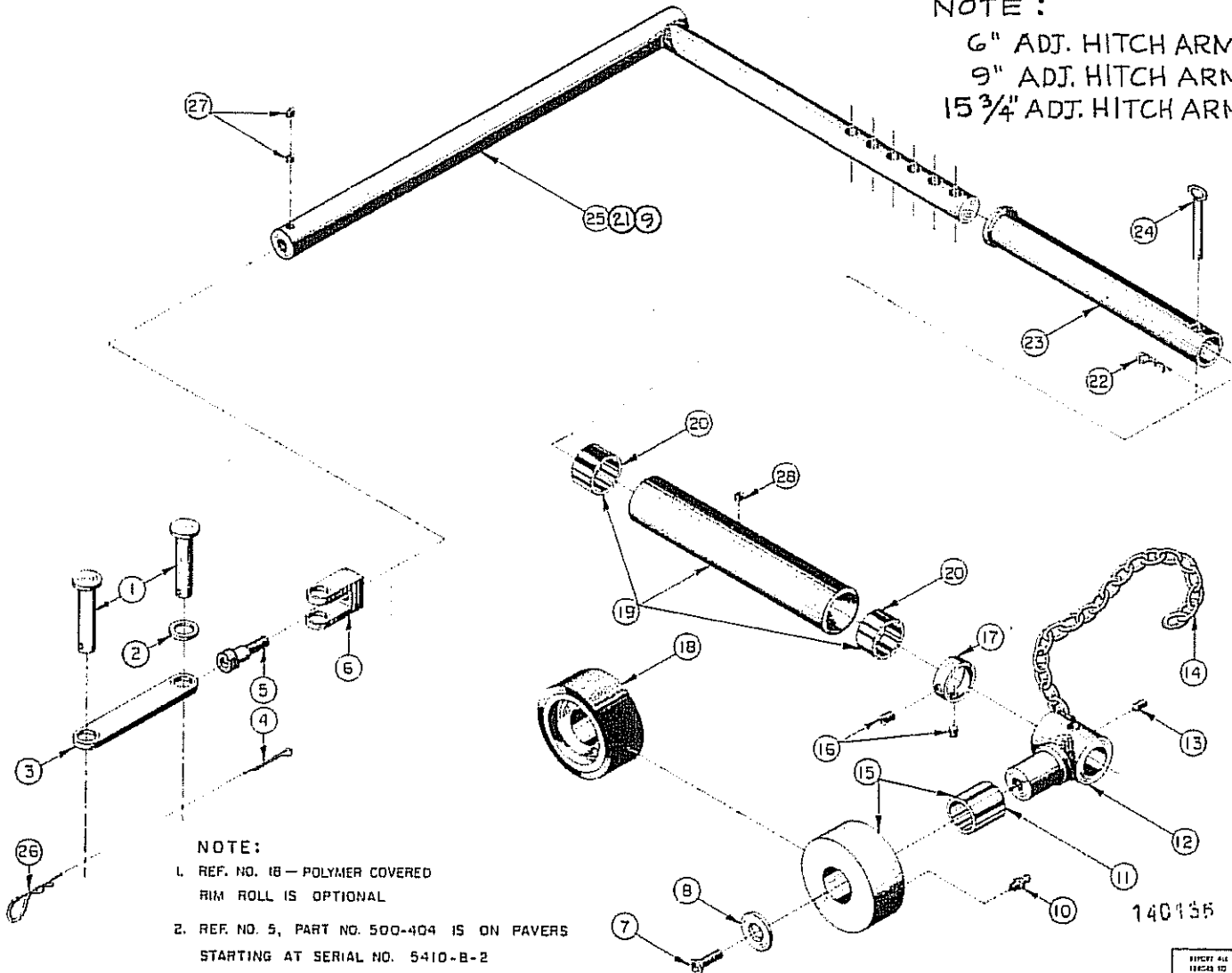


NOTE :

6" ADJ. HITCH ARM (COMPLETE) PART # 500-502
 9" ADJ. HITCH ARM (COMPLETE) PART # 500-503
 15 3/4" ADJ. HITCH ARM (COMPLETE) PART # 500-504



NOTE:

1. REF. NO. 18 - POLYMER COVERED RIM ROLL IS OPTIONAL
2. REF. NO. 5, PART NO. 500-404 IS ON PAVERS STARTING AT SERIAL NO. 5410-B-2

28	500-131	FLUSH SEAL PLUG 1/8 NPT	2	
27	500-207	SOCK. SETSCREW 1/4-20 X 1/4" LG.	4	
26	500-362	HAIR PIN 1/8 DIA. X 2 1/2" LG.	2	
25	500-184	HITCH-ARM SHAFT 15 3/4"	2	
24	500-344	SLEEVE LOCKING PIN	2	
23	500-174	SIDE ROLL SLEEVE	2	
22	500-194	HAIR PIN 3/16	2	
21	500-189	HITCH ARM SHAFT 9"	2	
20	500-171	SIDE ROLL BUSHING	4	
19	500-422	SIDE ROLL W/ BUSHINGS	2	
18	500-586	RIM ROLL (POLYURETHANE COVERED)	2	
17	500-170	SIDE ROLL LOCKING COLLAR	2	
16	500-200	SOCK. HD. STSCRW. 3/8-10 X 3/2" LG.	4	
15	330	RIM ROLL W/ BUSHING	2	
14	500-532	CHAIN (HIGH TEST) 1/4 X 32" LG.	2	
13	500-196	COHE PT. STSCRW. 3/8-10 X 1 1/2" LG.	2	
12	500-498	RIM ROLL SHAFT COLLAR	2	
11	332	RIM ROLL BUSHING	2	
10	500-176	GREASE FITTING 1/2 NPT (STR.)	2	
9	500-178	HITCH ARM SHAFT 6"	2	
8	500-167	RIM ROLL CAP	2	
7	500-165	FLAT HD. SOCK. STSCRW. 5/8-11 X 1" LG.	2	
6	321	HITCH-ARM CLEVIS	2	
5	500-404	HITCH-ARM CLEVIS FASTENER	2	
4	500-190	COTTER PIN 1/8 DIA. X 1" LG.	2	
3	325	HITCH-ARM LINKAGE	2	
2	500-189	STD. FLAT WASHER 1/2	1	
1	327	CLEVIS PIN 1/2 DIA. X 1 3/4" LG.	4	

140155

REV. NO.	PART NO.	DESCRIPTION	QTY.	ENG. NO.
LAYTON MANUFACTURING COMPANY SALEM, OREGON				
THIS ADJUSTABLE HITCH-ARM ASSY.				
REV. 7-85				
PAVER H-500-B		SEE NOTE	D-1066	