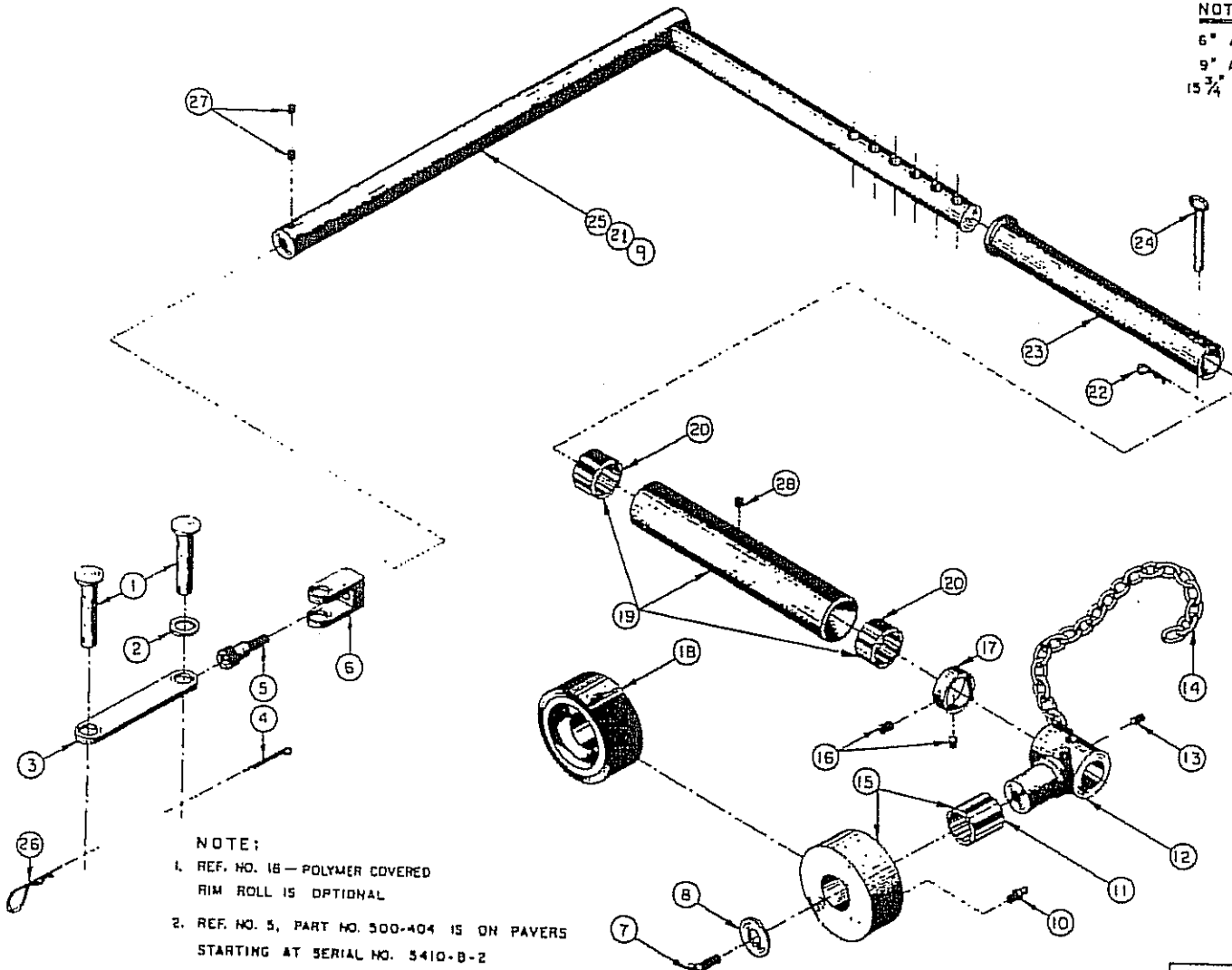


NOTE:

- 6" ADJ. HITCH ARM (COMPLETE) PART NO. 500-502
- 9" ADJ. HITCH ARM (COMPLETE) PART NO. 500-503
- 15 3/4" ADJ. HITCH ARM (COMPLETE) PART NO. 500-504



- NOTE:**
1. REF. NO. 18 - POLYMER COVERED RIM ROLL IS OPTIONAL
 2. REF. NO. 5, PART NO. 500-404 IS ON PAVERS STARTING AT SERIAL NO. 5410-B-2

28	500-533	FLUSH SEAL PLUG 1/4 NPT	2
27	500-207	SOCK. SETSCREW 1/4-20 x 1/4" LG.	4
26	500-362	HAIR PIN 1/8 DIA. X 2 1/2" LG.	2
25	500-184	HITCH-ARM SHAFT 15 3/4"	2
24	500-344	SLEEVE LOCKING PIN	2
23	500-174	SIDE ROLL SLEEVE	2
22	500-194	HAIR PIN 1/8	2
21	500-183	HITCH ARM SHAFT 9"	2
20	500-171	SIDE ROLL BUSHING	4
19	500-422	SIDE ROLL W/ BUSHINGS	2
18	500-588	RIM ROLL (POLYURETHANE COVERED)	2
17	500-170	SIDE ROLL LOCKING COLLAR	2
16	500-200	SOCK. HD. STSCRW. 1/4" x 3/2" LG.	4
15	330	RIM ROLL W/ BUSHING	2
14	500-532	CHAIN (HIGH TEST) 1/4" x 32" LG.	2
13	500-196	CONE PT. STSCRW. 3/8" x 1/2" LG.	2
12	500-498	RIM ROLL SHAFT COLLAR	2
11	332	RIM ROLL BUSHING	2
10	500-176	GREASE FITTING 1/8 NPT (STR.)	2
9	500-178	HITCH ARM SHAFT 6"	2
8	500-167	RIM ROLL CAP	2
7	500-165	FLAT HD. SOCK. STSCRW. 3/8" x 1" LG.	2
6	321	HITCH-ARM CLEVIS	2
5	500-404	HITCH-ARM CLEVIS FASTENER	2
4	500-190	COTTER PIN 1/8 DIA. x 1" LG.	2
3	325	HITCH-ARM LINKAGE	2
2	500-189	STD. FLAT WASHER 1/2	1
1	327	CLEVIS PIN 1/2 DIA. x 1 3/4" LG.	4

LAYTON MANUFACTURING COMPANY
 1411M, OGDON

THIS IS AN ADJUSTABLE HITCH-ARM ASSY.

REV. 2/03

PAVER F-525 SEE NOTE C-552